

(Sheet 54)

(Sheet 56)

Sec. 9
Sec. 10
Sec. 16

Sec. 10
Sec. 11
Sec. 15
Sec. 14

(Sheet 51)

Sec. 15
Sec. 16
Sec. 21
Sec. 22

Sec. 15
Sec. 14
Sec. 21
Sec. 23

T. 42 N. R. 6 W. M. D. M.

M. FINNERTY

Stack Yard
Pasture 1⁰⁰ Ac.
Alfalfa 1¹⁰ Ac.
Alfalfa 0⁸⁰ Ac.
Pasture 2⁰⁰ Ac.
Garden 0⁵⁰ Ac.
Pasture 3⁰⁰ Ac.
Pasture 0¹⁰ Ac.
Pasture 0²⁰ Ac.
Sage Brush Irrigable
Sage & Rocks Not Cultivated
Sage & Rocks Not Cultivated
Side Hill Rocks & Sage Non-irrigable

316

FARRAHER

Edson Foulke
Side Hill Rocks & Sage Non-irrigable
Pasture Sub-irr. 2²⁰ Ac.
Spring
Spring
Spring
Sage & Rocks Not Cultivated
Rocks & Sage Brush Not Cultivated

318

15

KIERNAN

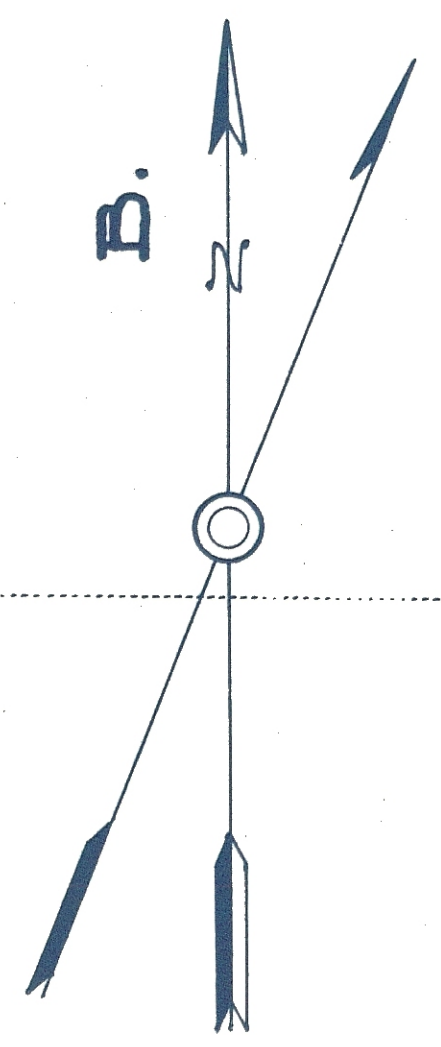
KIERNAN

T.

K.

W.

B.



M.D. 53 27

STATE OF CALIFORNIA
DEPARTMENT OF PUBLIC WORKS
DIVISION OF WATER RIGHTS
**LANDS IRRIGATED FROM SHASTA RIVER
AND TRIBUTARIES**
SISKIYOU COUNTY CALIFORNIA
SHOWN BY A
PLANE TABLE SURVEY

SCALE 1" = 300 FT.

1923

55-